

# AMPHIBIOUS EXCAVATOR, AT200



[www.amphibiosexcavator.com](http://www.amphibiosexcavator.com)



An **Amphitrex** is an amphibious excavator that can travel and work safely and effectively on soft terrain such as swamps, wet land and shallow water. The well designed amphibious hydraulic under carriage has ultra-low ground pressure and unparalleled mobility to work on soft terrains and swamps area.

We manufacture amphibious hydraulic undercarriages for excavator ranging from 12 to 30 ton excavators.

Amphitrex has well proven itself to work effectively on the following applications:

- Swamp land clearing at mining area, plantation and forest.
- Deepening of canal, river channel & river mouth.
- Building bund for flood prevention & land reclamation.
- Building bund wall for fish & shrimp ponds & salt making industry.
- Sludge clearing of lakes, ponds & water reservoir.
- Digging trenches for oil & gas piping installation.
- Transporting & clearing landslide & flood hit area.
- Swamps and wetlands construction
- Road construction through wetlands

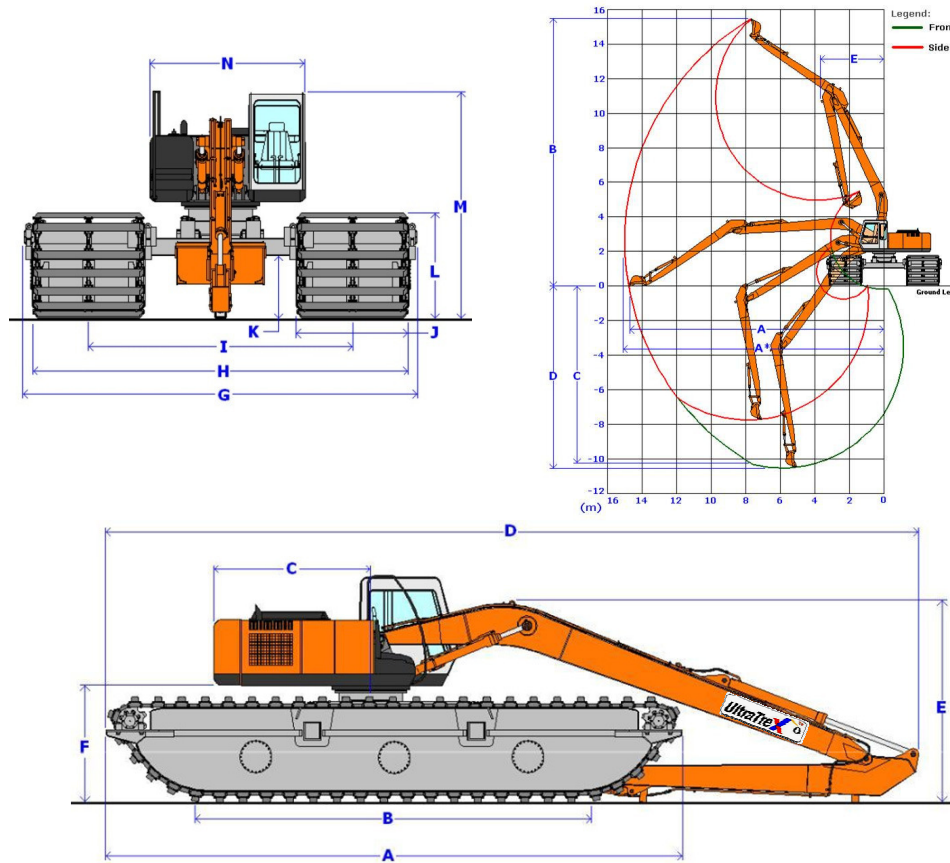


Bhelink Sdn Bhd

# AMPHIBIOUS EXCAVATOR, AT200



[www.amphibiosexcavator.com](http://www.amphibiosexcavator.com)



## AT200 Amphibious Hydraulic Excavator

Symbol	Description	20tons (44000 lb) Class Excavator	
		m	Ft
A	Max. Track Length	9.35	30.7'
B	Track Length On Ground	5.50	18.0'
C	Rear Upper Structure Length	2.75	9.0'
D	Overall Length	13.40	44.0'
E	Height of Boom	4.13	13.5'
F	Counterweight Clearance	2.21	7.3'
G	Overall Width, min/max (outward extendable)	5.25/ 5.85	17.2'/ 19.2'
H	Undercarriage Width, min/max	4.96/ 5.56	16.3'/ 18.3'
I	Track Gauge, min/max	3.34/ 3.94	11.0'/ 13.0'
J	Track Cleat Width	1.59	5.2'
K	Min. Ground Clearance	1.25	4.1'
L	Track Height	2.00	6.6'
M	Overall Cab Height	4.14	13.6'
N	Upper Structure Overall Width	2.74	9.0'

\*Dimensions are based on 20 ton class excavator, 50' long reach arm.

\*Specifications are subject to change without prior notice.

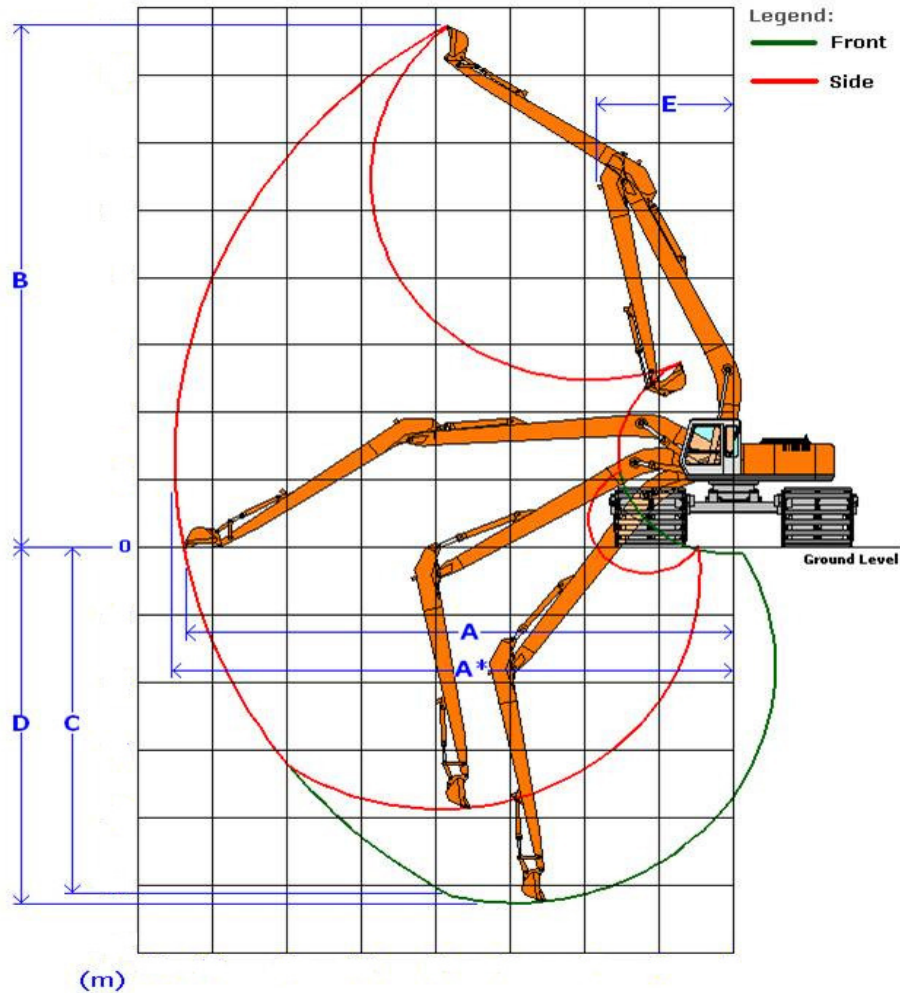


# AMPHIBIOUS EXCAVATOR, AT200



[www.amphibiosexcavator.com](http://www.amphibiosexcavator.com)

## Working Range AT200



### AT200 Amphibious Hydraulic Excavator

Symbol	Description	20tons (44000 lb) Class Excavator	
		m	Ft
A	Max. Digging Reach (on ground)	14.85	48.7'
A*	Max. Digging Reach	15.24	50.0'
B	Max. Cutting Height	16.30	53.5'
C	Max Vertical Wall	9.10	29.8'
D	Max. Digging Depth	9.60	31.5'
E	Min. Swing Radius	5.45	17.9'

\*Dimensions are based on 20 ton class excavator, 50' long reach arm.

\*Specifications are subject to change without prior notice.



# AMPHIBIOUS EXCAVATOR, AT200



[www.amphibiosexcavator.com](http://www.amphibiosexcavator.com)



## **AT200 amphibious hydraulic undercarriage technical specification:**

1. Amphibious undercarriage hydrostatic drive  
Type: Hydrostatic drive with intergrated hydraulic 2 speed motors.  
Working pressure: 350 kgf/cm<sup>2</sup>.  
Output torque: 2301 kgf.m
2. Amphibious undercarriage construction  
Anti Corrosion Plate, SMA 490.  
Each amphibious undercarriage is equipped with 3 independent water tight compartment.  
The bottom of amphibious undercarriage is reinforced.
3. Track Chains  
Triple strands track chain per amphibious undercarriage.  
Pitch: 152.4mm.  
The track chain rollers are running on Hardox 400 wear plates.
4. Gradeability: 30 degree
5. Operating weight  
32 tons. (Including 20 ton hydraulic excavator upper body and 50' long reach arm)



CERT NO.: 10015841 2043  
ISO 9001:2008