

AMPHIBIOUS EXCAVATOR, AT120ER



www.amphibiosexcavator.com



An **Amphitrex** is an amphibious excavator that can travel and work safely and effectively on soft terrain such as swamps, wet land and shallow water. The well designed amphibious hydraulic under carriage has ultra-low ground pressure and unparalleled mobility to work on soft terrains and swamps area.

We manufacture amphibious hydraulic undercarriages for excavator ranging from 12 to 30 ton excavators.

Amphitrex has well proven itself to work effectively on the following applications:

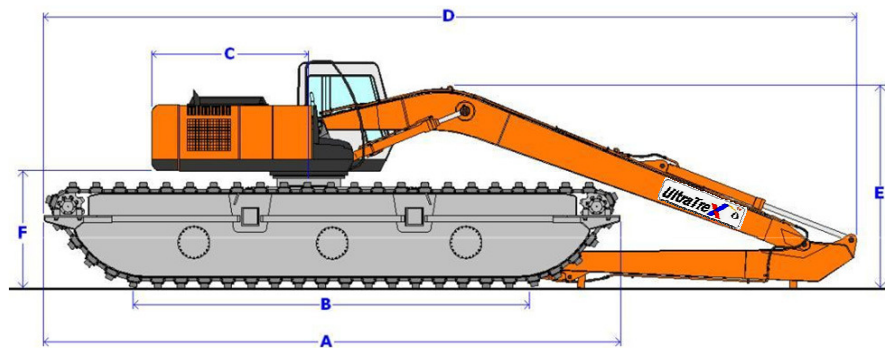
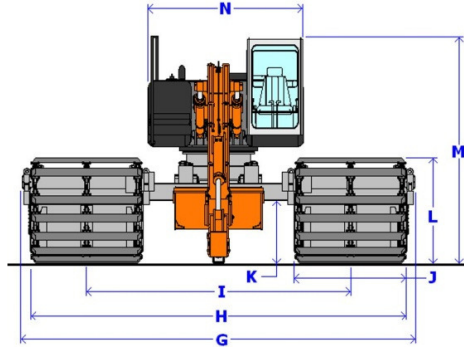
- Swamp land clearing at mining area, plantation and forest.
- Deepening of canal, river channel & river mouth.
- Building bund for flood prevention & land reclamation.
- Building bund wall for fish & shrimp ponds & salt making industry.
- Sludge clearing of lakes, ponds & water reservoir.
- Digging trenches for oil & gas piping installation.
- Transporting & clearing landslide & flood hit area.
- Swamps and wetlands construction
- Road construction through wetlands



AMPHIBIOUS EXCAVATOR, AT120ER



www.amphibiosexcavator.com



AT120 (ER) Amphibious Hydraulic Excavator

Symbol	Description	12 ton (26400 lb) class excavator	
		m	Ft
A	Max. Track Length	7.92	26.0'
B	Track Length On Ground	4.69	15.4'
C	Rear Upper Structure Length	1.49	4.9'
D	Overall Length	11.58	38.0'
E	Height of Boom	3.88	12.7'
F	Counterweight Clearance	2.05	6.1'
G	Overall Width (Min / Max)	4.30 / 5.30	14.1' / 17.4'
H	Undercarriage Width (Min / Max)	4.05 / 5.05	13.3' / 16.6'
I	Track Gauge (Min / Max)	2.46 / 3.46	8.1' / 11.4'
J	Track Cleat Width	1.59	5.2'
K	Min. Ground Clearance	1.16	3.8'
L	Track Height	1.75	5.7'
M	Overall Cab Height	4.02	13.2'
N	Upper Structure Overall Width	2.49	8.2'

*Dimensions are based on 12 ton class excavator, with 12 meter long reach arm.

* Hydraulic extendable & retractable.

*Specifications are subject to change without prior notice.

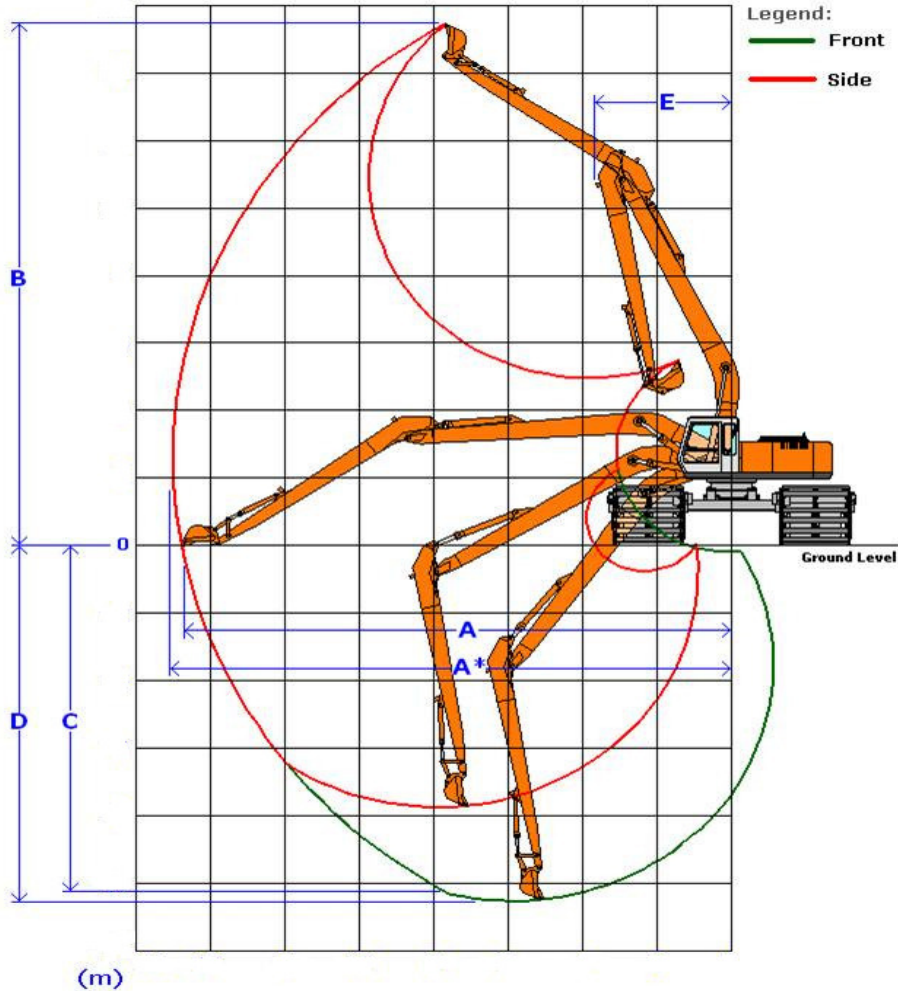


AMPHIBIOUS EXCAVATOR, AT120ER



www.amphibiosexcavator.com

Working Range AT120ER with 12 meter long reach arm



AT120ER Amphibious Hydraulic Excavator

Symbol	Description	12tons (26400 lb) Class Excavator	
		M	Ft
A	Max. Digging Reach (on ground)	11.80	38.7'
A*	Max. Digging Reach	12.00	39.3'
B	Max. Cutting Height	11.40	37.4'
C	Max Vertical Wall	7.40	24.3'
D	Max. Digging Depth	7.90	25.9'
E	Min. Swing Radius	3.40	11.2'

*Dimensions are based on 12 ton class excavator, with 12 meter long reach arm.

*Specifications are subject to change without prior notice.



AMPHIBIOUS EXCAVATOR, AT120ER



www.amphibiosexcavator.com

AT120ER amphibious hydraulic undercarriage technical specification:

1. Amphibious undercarriage hydrostatic drive motors
Type: Hydrostatic drive with integrated hydraulic 2 speed motors.
2. Amphibious undercarriage construction
Anti Corrosion Resistant Plate, SMA 490.
Each amphibious undercarriage is equipped with 3 independent water tight compartment.
The bottom of amphibious undercarriage is reinforced.
3. Track Chains
Triple strands track chain per amphibious undercarriage.
Pitch: 152.4mm.
The track chain rollers are running on Hardox 400 wear plates.
4. Gradeability: 30 degree
5. Operating weight
22 tons. (Including 12 ton hydraulic excavator upper body)



CERT. NO.: 100150841 2013
ISO 9001:2008