

UltraTrex[®]

AMPHIBIOUS EXCAVATOR

UTX, your trusted partner in shallow dredging equipment



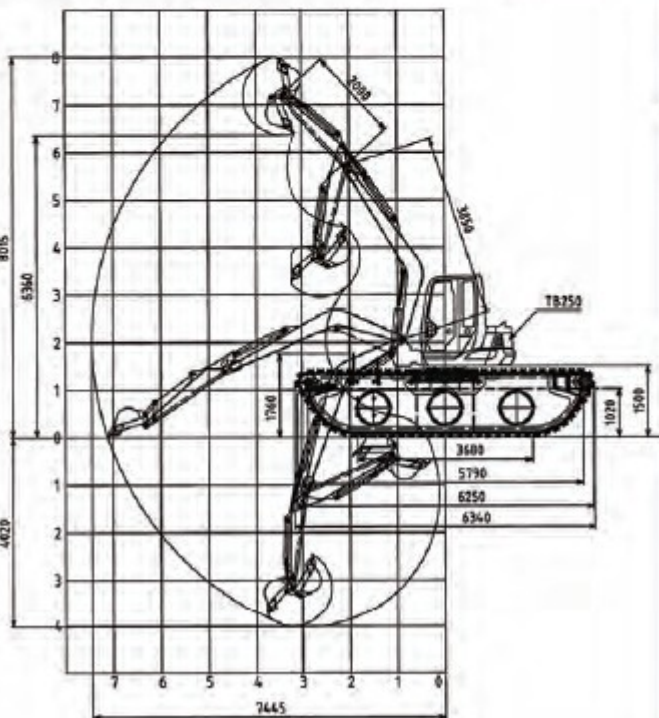
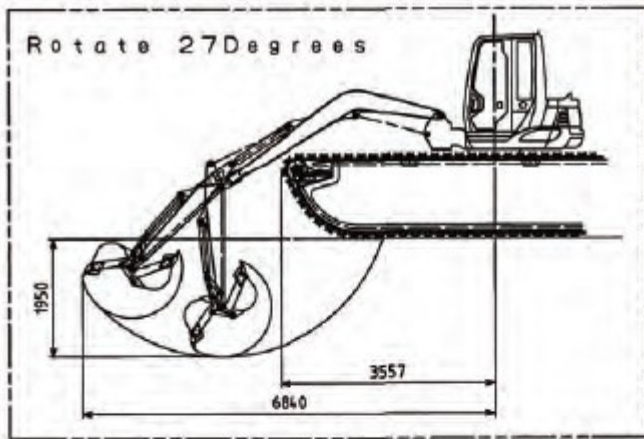
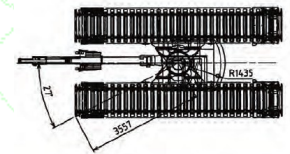
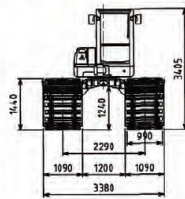
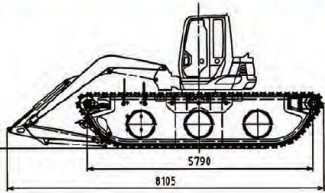
AT80 is a Mini Amphibious Excavator can travel safely on soft terrain such as swamp, wet land and shallow water. It can float on the water like a boat.

The AT80 Amphibious Excavator can only work in areas where the water depth is less than 1.0 meter. It is very suitable in clearing and maintaining

UltraTrex[®]

AMPHIBIOUS EXCAVATOR

UTX, your trusted partner in shallow dredging equipment



Item	Unit	
Total weight	Kg	9700
Float capacity	m ³	12.7
Float Capacity/total weight	m ³ /ton	1.3
Maximum drawbar pull	kg	9000
Ground pressure (soft ground)	Kg/cm ²	0.08
Travel speed	HI	km/ H 2.1
	LO	km/ H 1.2
Maximum gradient	°	30
Work equipment	Boom length	mm 3850
	Stick(Arm) length	mm 2000
	Bucket	m ³ 0.141
Working Range	(a) Max. digging height	mm 8015
	(b) Max. dumping height	mm 6360
	(c) Max. digging depth	mm 4020
	(d) Max. digging radius	mm 7445
Dimensions	A. Track gauge	mm 2290
	B. Track length	mm 6340
	C. Distance between Idler and Sprocket	mm 5790
	D. Track length on hard ground	mm 3680
	Track length on soft ground	mm 6250
	E. Width track shoe	mm 990
	E1. Width float	mm 1090
	F. Distance between shoe inside	mm 1200
	G. Overall machine width	mm 3380
	H. Overall machine height	mm 3405
	I. Ground clearance (counterweight)	mm 1500
	J. Min. ground clearance	mm 1240
	K. Shoe setting height	mm 1440
	L. Crawler height	mm 1760
	M. Water line height	mm 1020
	R. Min. radius of backside	mm 1435